

R 430

R 430 S

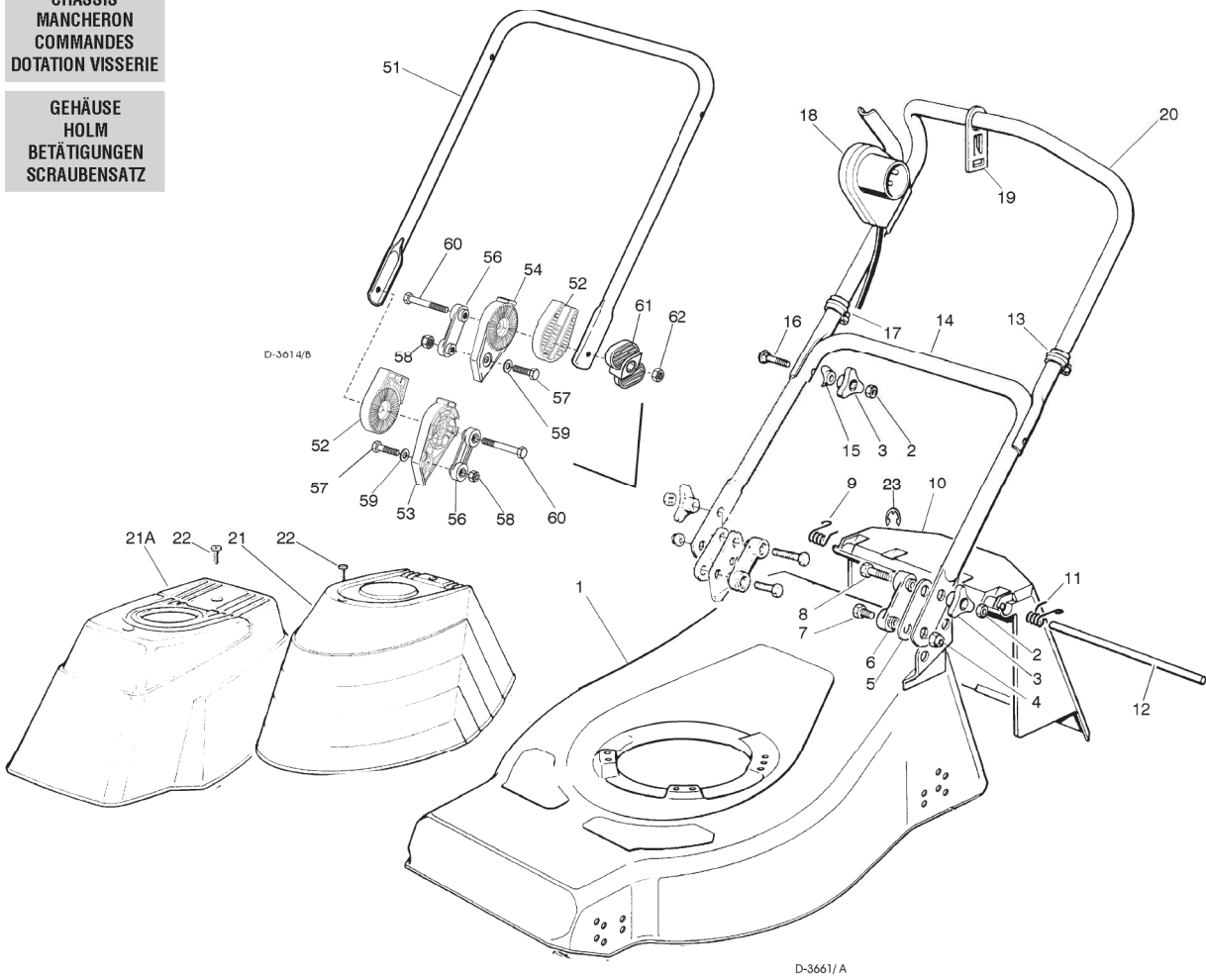
R 480

CHASSIS
MANICO
COMANDI
DOTAZIONE VITERIE

DECK
HANDLE
CONTROLS
SCREWS OUTFITS

CHÂSSIS
MANCHERON
COMMANDES
DOTATION VISSERIE

GEHÄUSE
HOLM
BETÄTIGUNGEN
SCRAUBENSATZ



SPARE PARTS CATALOGUE

GB D

CATALOGO DELLE PARTI
DI RICAMBIO

I F

ERSATZTEILKATALOG

D

CATALOGUE DES PIÈCES
DE RECHANGE

F

D-3661/A

T-3661/A

Pos. Nr.	Codice Code Kodex	Q.tà Q.ty-Q.tè Menge	Descrizione	Description	Description	Beschreibung
1			CHASSIS	DECK	CHÂSSIS	GEHÄUSE
—	81000950/ 1	1	ROSSO R 430	RED R 430	ROUGE R 430	ROTES NG 430
—	81000988/ 1	1	GIALLO R 430	YELLOW R 430	JAUNE R 430	GELBES NG 430
—	81001542/ 1	1	VERDE R 430	GREEN R 430	VERT R 430	GRÜNES NG 430
—	81000952/ 0	1	ROSSO R 480	RED R 480	ROUGE R 480	ROTES R 480
—	81000991/ 0	1	GIALLO R 480	YELLOW R 480	JAUNE R 480	GELBES R 480
—	81001543/ 0	1	VERDE R 480	GREEN R 480	VERT R 480	GRÜNES R 480
2	12293200/ 0	4	DADO	NUT	ECROU	MUTTER
3	22399900/ 0	4	MANOPOLINA	KNOB	POIGNÉE	GRIF
4	12155000/ 0	2	DADO	NUT	ECROU	MUTTER
5	22551574/ 0	2	PIASTRINA ESTERNA	OUTSIDE PLAQUE	PLAQUETTE EXTERNE	INNERE PLATTE
6	22551575/ 0	2	PIASTRINA INTERNA	INSIDE PLAQUE	PLAQUETTE INTERNE	INNERE PLATTE
7	12793300/ 0	2	VITE	SCREW	VIS	SCHRAUBE
8	12691115/ 0	2	VITE	SCREW	VIS	SCHRAUBE
9	22450410/ 1	1	MOLLA DX	RIGHT SPRING	RESSORT DROITE	RECHTE FEDER
10	22600028/ 4	1	PARASASSI	STONE-GUARD	PARE-PIERRES	PRALLBLECH





Pos. Nr.	Codice Code Kodex	Q.tà Q.ty-Q.tè Menge	Descrizione	Description	Description	Beschreibung
11	22450420/ 1	1	MOLLA SX	LEFT SPRING	RESSORT GAUCHE	LINKE FEDER
12	22517906/ 1	1	PERNO	PIN	PIVOT	BOLZEN
13	22192151/ 0	1	FERMACAVO	FAIR LEAD	FIXATION CABLE	KABELBEFESTIGUNG
14	81006512/ 0	1	PARTE INF. MANICO	LOWER HANDLE	PARTIE INF. MANCHERON	UNTERHOLM
15	226800061/ 1	2	RONDELLA	WASHER	RONDELLE	SCHLEIFSCHEIBE
16	12819201/ 0	2	VITE	SCREW	VIS	SCHRAUBE
17	22192000/ 1	2	FASCETTA ANCORAGGIO	ANCHOR CLAMP	COLLIER ANCRAGE	BOWDENZUGHALTER
18			SALVAMOTORE M.M.	DEAD HAND SWITCH M.M.	INT. MAIN MORTE M.M.	TOT MANSCHALTER M.M.
—	18710562/ 0	1	8,5 A 602 MS (1300W IBMEI/ RST)	8,5 A 602 MS (1300W IBMEI/ RST)	8,5 A 602 MS(1300W IBMEI/ RST)	8,5 A 602 MS (1300W IBMEI/ RST)
—	18710563/ 0	1	8,5 A 603 MS (1300W IBMEI/ RST)	8,5 A 603 MS (1300W IBMEI/ RST)	8,5 A 603 MS (1300W IBMEI/ RST)	8,5 A 603 MS (1300W IBMEI/ RST)
—			SOLO PER SVIZZERA	ONLY FOR SWITZERLAND	SEULEMENT POUR LA SUISSE	NUR FÜR SCHWEIZ
—	18710624/ 1	1	8,5 A 607 MS (1300W IBMEI)	8,5 A 607 MS (1300W IBMEI)	8,5 A 607 MS (1300W IBMEI)	8,5 A 607 MS (1300W IBMEI)
—	18710604/ 0	1	10 A 602 MS (1600W IBMEI/ RST)	10 A 602 MS (1600W IBMEI/ RST)	10 A 602 MS (1600W IBMEI/ RST)	10 A 602 MS (1600W IBMEI/ RST)
—	18710572/ 0	1	10 A 603 MS (1600W IBMEI/ RST)	10 A 603 MS (1600W IBMEI/ RST)	10 A 603 MS (1600W IBMEI/ RST)	10 A 603 MS (1600W IBMEI/ RST)
—			SOLO PER SVIZZERA	ONLY FOR SWITZERLAND	SEULEMENT POUR LA SUISSE	NUR FÜR SCHWEIZ
—	18710628/ 0	1	10 607 MS (1600W IBMEI)	10 607 MS (1600W IBMEI)	10 607 MS (1600W IBMEI)	10 607 MS (1600W IBMEI)
19	22195101/ 1	1	FERMACAVO	FAIR LEAD	FIXATION CABLE	KABELBEFESTIGUNG
20	81007017/ 1	1	PARTE SUP. MANICO	UPPER HANDLE	PARTIE SUP. MANCHERON	OBERHOLM
21	81002057/ 0	1	ASS. CAPOTTINA	COVER ASS.Y	ENS. CAPOT	KOMPLETTE HAUBE
21A	81002059/ 0	1	ASS. CAPOTTINA	COVER ASS.Y	ENS. CAPOT	KOMPLETTE HAUBE
22	12728680/ 0	2	VITE	SCREW	VIS	SCHRAUBE
23	12000930/ 0	1	ANELLO ELASTICO	SNAP RING	ANNEAU RESSORT	SPRENGRING
—	81008596/ 1	1	DOTAZIONE VITERIA	SCREWS OUTFIT	DOTATION VISSERIE	SCHRAUBEN SATZ

VARIANTE REGOLAZIONE MANICO	HANDLE ADJUSTMENT VARIANT	VARIANTE REGLAGE POIGNEE	GRIFFEINSTELLVARIANTE
-----------------------------	---------------------------	--------------------------	-----------------------

T-3614/ B

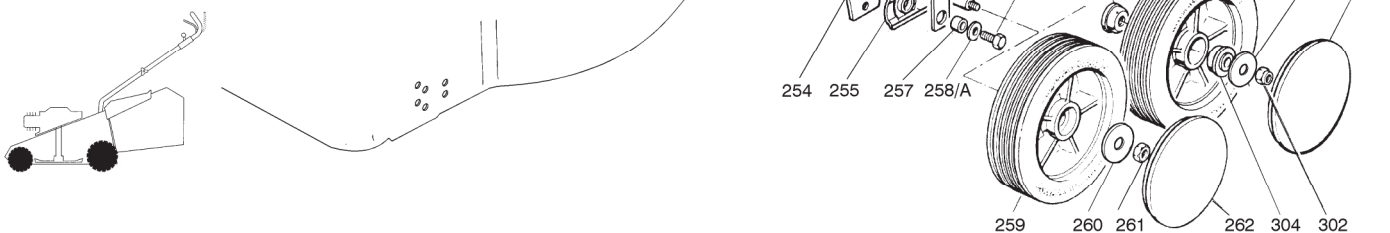
51	81006510/ 0	1	PARTE INFR. MANICO	LOWER HANDLE	PARTIE INF. MANCHERON	UNTERHOLM
52	22785081/ 0	2	SUPPORTO ESTERNO	EXTERNAL SUPPORT	SUPPORT EXTERNE	AUßERE HALTERUNG
53	22785082/ 0	1	SUPPORTO INTERNO DX	R. INTERNAL SUPPORT	SUPPORT INTERNE DROIT	INNERE HALTERUNG RECHTS
54	22785083/ 1	1	SUPPORTO INTERNO SX	L. INTERNAL SUPPORT	SUPPORT INTERNE GAUCHE	INNERE HALTERUNG LINKS
56	22551575/ 0	2	PIASTRINA INTERNA	INSIDE PLAQUE	PLAQUETTE INTERNE	INNERE PLATTE
57	12793701/ 0	2	VITE	SCREW	VIS	SCHRAUBE
58	12155000/ 0	2	DADO	NUT	ECROU	MUTTER
59	12521350/ 0	2	RONDELLA	WASHER	RONDELLE	SCHLEIFSCHEIBE
60	12691810/ 0	2	VITE	SCREW	VIS	SCHRAUBE
61	22399803/ 0	2	MANOPOLINA	KNOB	POIGNÉE	GRIFF
62	12293202/ 0	2	DADO	NUT	ECROU	MUTTER
—	81008622/ 0	1	DOTAZ. VITERIA	SCREWS OUTFIT	DOTATION VISSERIE	SCHRAUBEN SATZ

RUOTE E REGOLAZIONE

WHEELS AND HEIGHT ADJUSTING

ROUES ET REGLAGE HAUTEUR DE COUPE

RÄDER UND SCHNITTHÖHEVERSTELLUNG



D-3614/F

T-3614/ F

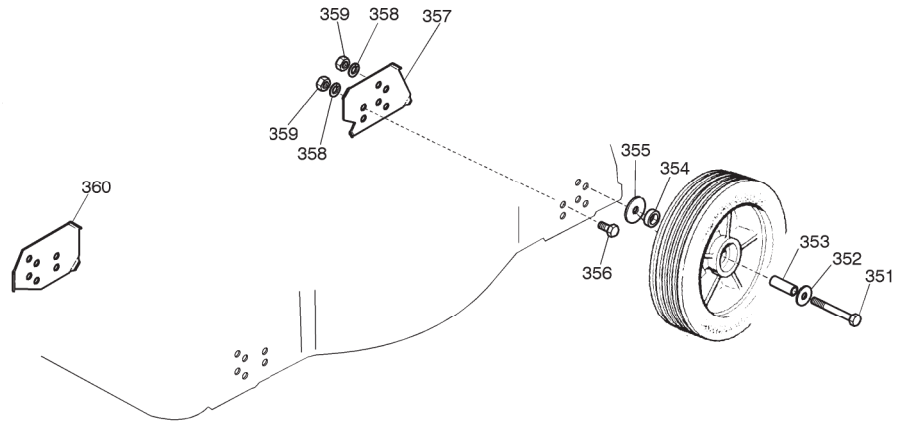
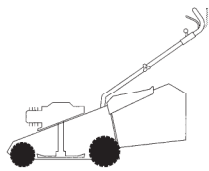
251	12293200/ 0	4	DADO	NUT	ECROU	MUTTER
252	12583500/ 0	4	GROWER	GROWER	GROWER	FEDERRING
253	12523070/ 0	4	RONDELLA	WASHER	RONDELLE	SCHLEIFSCHEIBE
254	22735537/ 0	4	SETTORE REGOLAZIONE	ADJUSTMENT SECTOR	SECTEUR REGLAGE	VERSTELLUNGSEKTOR
255	81005082/ 0	4	SUPPORTO RUOTA	WHEEL SUPPORT	SUPPORT ROUE	RADHALTER
256	81003273/ 0	4	LEVA REGOLAZIONE	ADJUSTMENT LEVER	LEVIER REGLAGE	VERSTELLUNGHEBEL
257	22171001/ 0	4	DISTANZIALE	SPACER	ENTRETOISE	DISTANZRING
258	12793701/ 0	4	VITE	SCREW	VIS	SCHRAUBE
258A	12521350/ 0	4	RONDELLA	WASHER	RONDELLE	SCHLEIFSCHEIBE
259	81007325/ 0	4	RUOTA Ø 170	WHEEL Ø 170	ROUE Ø 170	RAD Ø 170
260	12523060/ 0	4	RONDELLA	WASHER	RONDELLE	SCHLEIFSCHEIBE
261	12293201/ 0	4	DADO	NUT	ECROU	MUTTER
262		4	COPRIMOZZO	HUB CAP	COUVRE-MOYEU	RADKAPPE
—	22110262/ 0	4	BIANCO	WHITE	BLANC	WEIß
—	22110263/ 0	4	GIALLO	YELLOW	JAUNE	GELB
—	22110264/ 0	4	ROSSO	RED	ROUGE	ROTE





Pos. Nr.	Codice Code Kodex	Q.tà Q.ty-Q.tè Menge	Descrizione	Description	Description	Beschreibung
			VARIANTI RUOTE Ø 170 SU BOCCOLE	WHEELS Ø 170 VARIANTS ON BUSHES	VARIANTES ROUES Ø 170 SUR DOUILLES	ÄNDERUNGEN AUF RÄDER Ø 170 MIT BÜCHSEN
301	22110262/0	4	COPRIMOZZO	HUB CAP	COUVRE-MOYEU	RADKAPPE
—	22110263/0	4	BIANCO	WHITE	BLANC	WEIßE
—	22110264/0	4	GIALLO	YELLOW	JAUNE	GELBE
—	22110264/0	4	ROSSO	RED	ROUGE	ROTE
302	12155000/0	4	DADO	NUT	ECROU	MUTTER
303	12523060/0	4	RONDELLA	WASHER	RONDELLE	SCHEIBE
304	22034508/0	4	BOCCOLA	BUSH	DOUILLE	BÜCHSE
305	81007326/0	4	RUOTA Ø 170	WHEEL Ø 170	ROUE Ø 170	RAD Ø 170
351	12691900/0	4	VITE	SCREW	VIS	SCHRAUBE

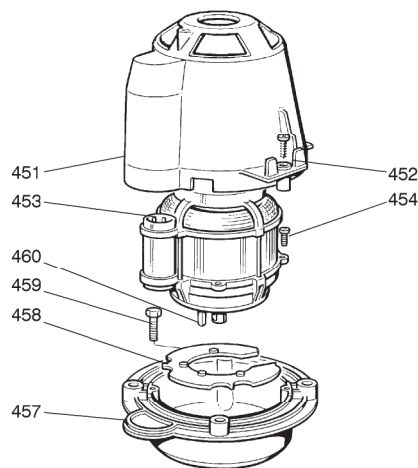
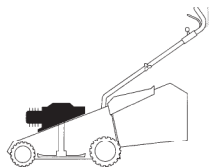
- VARIANTE REGOLAZIONE RUOTE
- WHEEL ADJUSTMENT VARIANT
- VARIANTE REGLAGE ROUES
- RADEINSTELLVARIANTE



D-3614/H

T-3614/H	352	12523060/0	4	RONDELLA	WASHER	RONDELLE	SCHEIBE
	353	22869650/0	4	TUBO PER RUOTA	WHEEL TUBE	TUBE POUR ROUE	ROHR FÜR RAD
	354	22172420/0	4	DISTANZIALE	SPACER	ENTRETOISE	DISTANZRING
	355	12523070/0	4	RONDELLA	WASHER	RONDELLE	SCHEIBE
	356	12792611/0	4	VITE	SCREW	VIS	SCHRAUBE
	357	22551513/0	2	PIASTRA POSTERIORE	BACK PLATE	PLAQUE POSTÉRIEURE	HINTERPLATTE
	358	12583500/0	8	GROWER	GROWER	GROWER	GROWER
	359	12293200/0	8	DADO	NUT	ECROU	MUTTER
	360	22551511/0	2	PIASTRA ANTERIORE	FRONT PLATE	PLAQUE ANTÉRIEURE	VORDERPLATTE
	451	22785061/0	1	SUPPORTO CAPOTTINA	COVER SUPPORT	SUPPORT CAPOT	HAUBEHALTER

- GRUPPO MOTORE ELETTRICO
- MOTOR ASS.Y
- MOTEUR ELECTRIQUE
- ELEKTROMOTOR



D-3614/L

T-3614/L	452	12728710/0	4	VITE	SCREW	VIS	SCHRAUBE
	453	18563068/1	1	MOTORE	MOTOR	MOTEUR	MOTOR
	—	18563008/0	1	IBMEI 1300W (230V)	IBMEI 1300W (230V)	IBMEI 1300W (230V)	IBMEI 1300W (230V)
	—	18563069/1	1	RST 1300W (220-230V)	RST 1300W (220-230V)	RST 1300W (220-230V)	RST 1300W (220-230V)
	—	18563061/2	1	IBMEI 1300W (240V)	IBMEI 1300W (240V)	IBMEI 1300W (240V)	IBMEI 1300W (240V)
	—	18563009/0	1	IBMEI 1600W (230V)	IBMEI 1600W (230V)	IBMEI 1600W (230V)	IBMEI 1600W (230V)
	—	18563047/2	1	RST 1600W (230V)	RST 1600W (230V)	RST 1600W (230V)	RST 1600W (230V)
	—	18563047/2	1	IBMEI 1600W (240V)	IBMEI 1600W (240V)	IBMEI 1600W(240V)	IBMEI 1600W (240V)





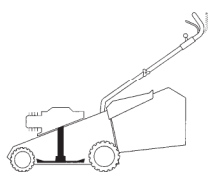
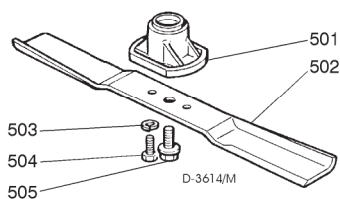
Pos. Nr.	Codice Code Kodex	Q.tà Q.ty-Q.tè Menge	Descrizione	Description	Description	Beschreibung
453A			VENTOLA	FAN	VENTILATEUR	LÜFTER
—	18740049/ 0	1	PER MOTORE IBMEI	IBMEI MOTOR	MOTEUR IBMEI	IBMEI MOTOR
—	18740051/ 0	1	PER MOTORE RST	RST MOTOR	MOTEUR RST	RST MOTOR
453B			CONDENSATORE	CONDENSER	CONDENSEUR	KONDENSATOR
—	18222037/ 0	1	16 µF	16 µF	16 µF	16 µF
—	18222038/ 0	1	20 µF	20 µF	20 µF	20 µF
454	12735410/ 0	4	VITE	SCREW	VIS	SCHRAUBE
455	12583500/ 0	4	GROWER	GROWER	GROWER	FEDERRING
456	12293200/ 0	4	DADO	NUT	ECROU	MUTTER
457	22207211/ 3	1	FLANGIA	FLANGE	BRIDE	FLANSCH
458	22720360/ 1	1	SCHERMO VENTILAZIONE	VENTILATION SCREEN	ECRAN VENTILATION	LÜFTUNGSSCHIRM
459	12793700/ 0	4	VITE	SCREW	VIS	SCHRAUBE
460	12139440/ 0	1	LINGUETTA	FEATHER	CLAVETTE	KEIL

GRUPPO COLTELLO

BLADE ASS.Y

GROUPE LAME

MESSERSATZ



T-3661/M

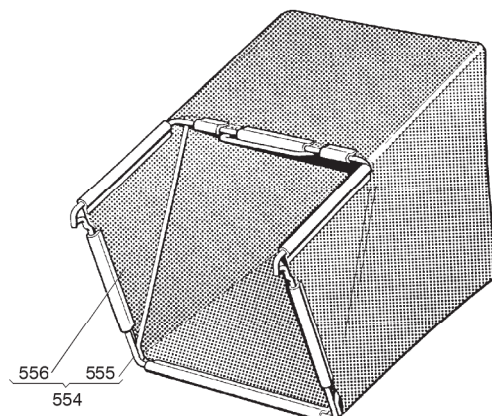
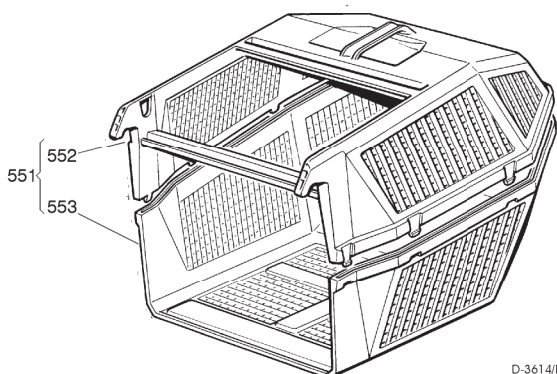
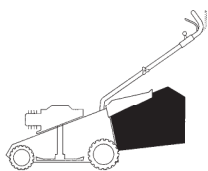
501	22463186/ 2	1	MOZZO	HUB	MOYEU	NABE
502			COLTELLO	BLADE	LAME	MESSER
—	81004341/ 2	1	STANDARD 41 cm.	BLADE 41 cm.	STANDARD 41 cm.	STANDARD 41 cm.
—	81004396/ 0	1	ALETTATO 41 cm.	WINGED 41 cm.	AILETTÉE 41 cm.	FRÜGEL 41 cm.
—	81004346/ 2	1	STANDARD 46 cm.	BLADE 46 cm.	STANDARD 46 cm.	STANDARD 46 cm.
—	81004397/ 0	1	ALETTATO 46 cm.	WINGED 46 cm.	AILETTÉE 46 cm.	FRÜGEL 46 cm.
503	12583500/ 0	2	GROWER	GROWER	GROWER	FEDERRING
504	12793101/ 0	2	VITE	SCREW	VIS	SCHRAUBE
505	81004352/ 0	1	VITE	SCREW	VIS	SCHRAUBE

SACCO RACCOGLIERBA

GRASS-CATCHER

BAC DE RAMASSAGE

GRASFANGKORB



T-3614/N

551	98005000/ 1	1	SACCO COMPLETO	COMPLETE GRASS-BOX	SAC COMPLET	KOMPLETTER KORB
552	22486076/ 0	1	PARTE SUP. SACCO	UPPER GRASS BOX	PARTIE SUP. SAC	OBERKORB
553	22486077/ 0	1	PARTE INF. SACCO	LOWER GRASS BOX	PARTIE INF. SAC	UNTERKORB
554	98004000/ 0	1	ASS. SACCO IN TELA	CANVASS GRASSCATCHER	ENSEMBLE SAC EN TOILE	KOMPLETTER SACK
555	81006408/ 0	1	TELAIO	CHASSIS	CHÂSSIS	RAHMEN
556	81002105/ 2	1	TELA SACCO	FABRIC BOX	TOILE POUR SAC	TUCK FÜR SACK